

FIG. 1

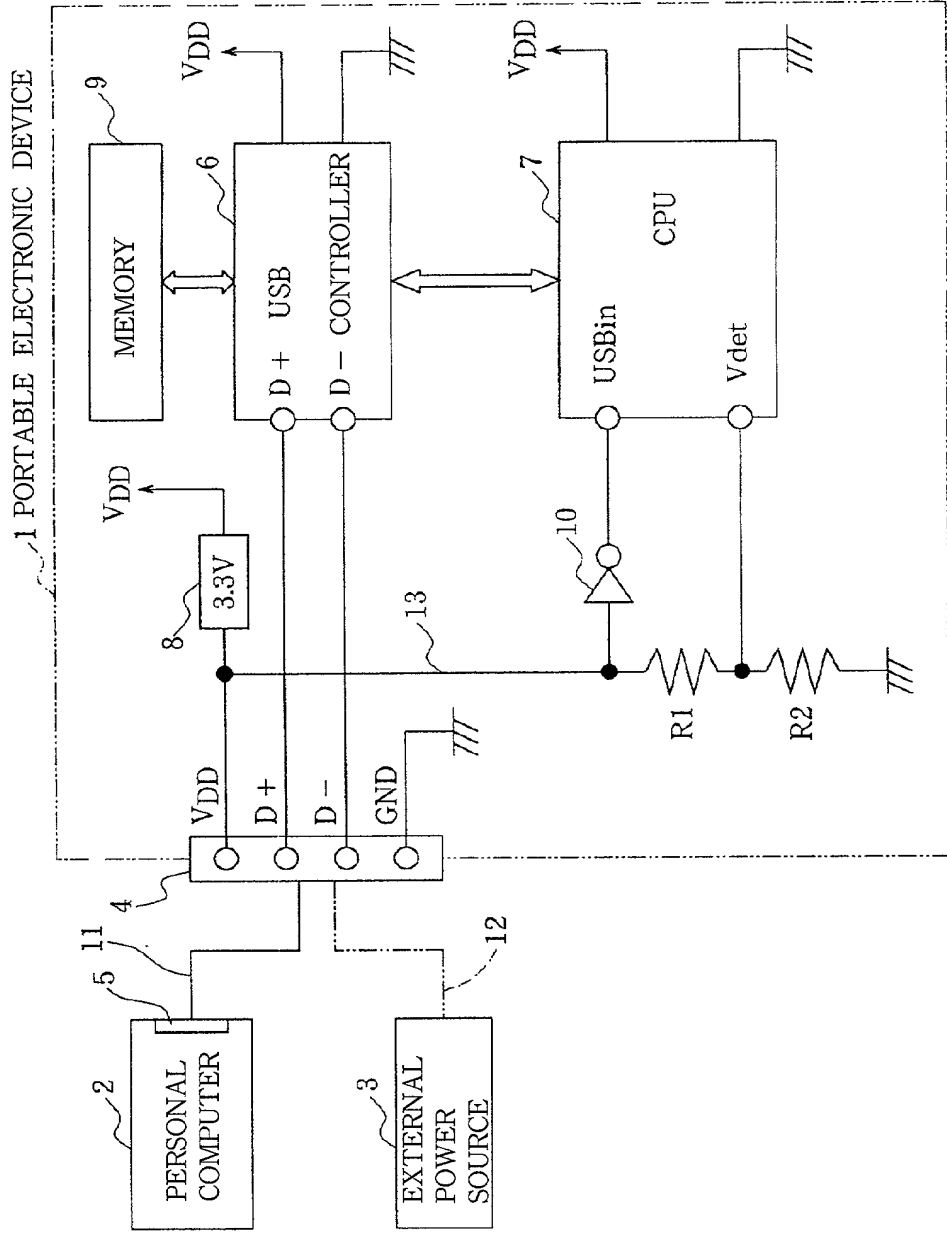
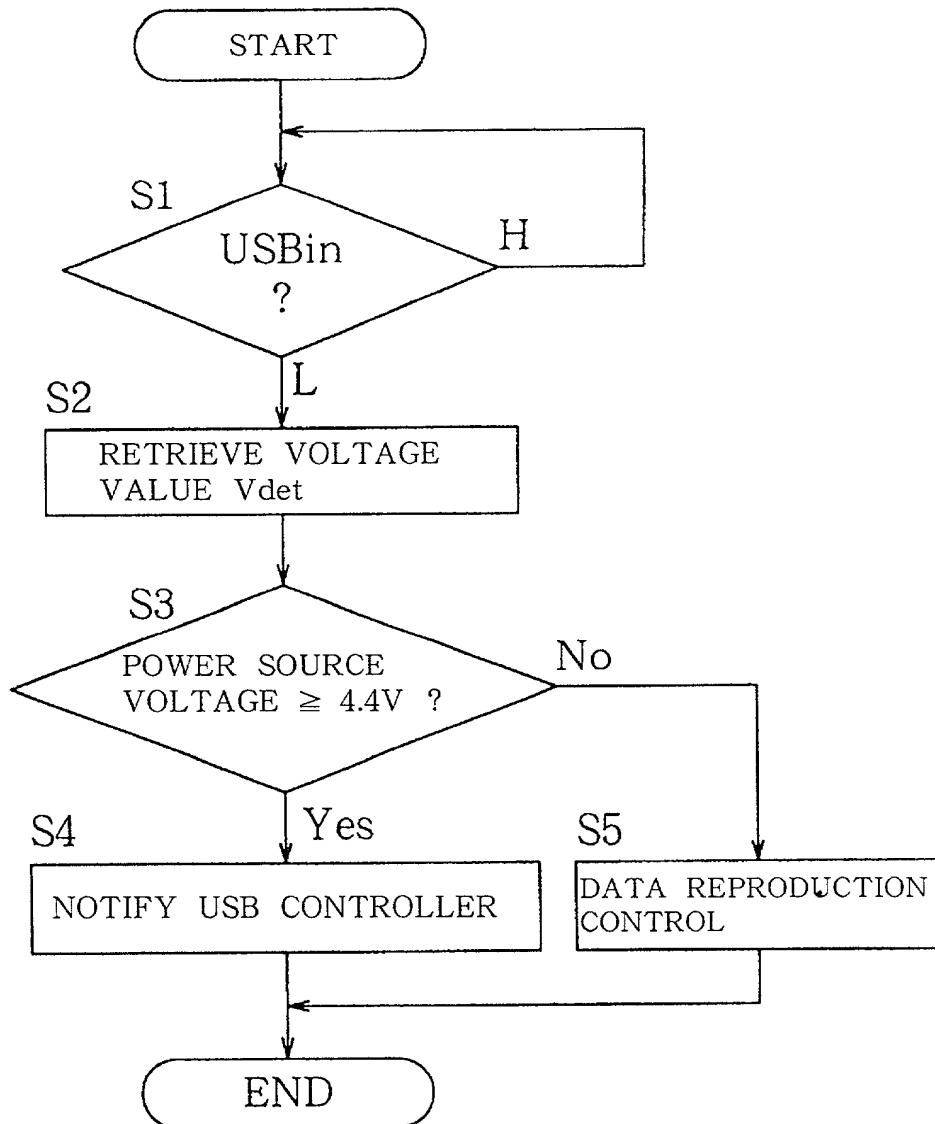


FIG.2



097403460